



Eurovacuum EVPP-Series

Oil less Piston Vacuum Pumps and Compressors



Eurovacuum EVPP-Series

Oil less Piston Vacuum Pumps and Compressors

Contents

Eurovacuum EVPP-Series

EVPP-series

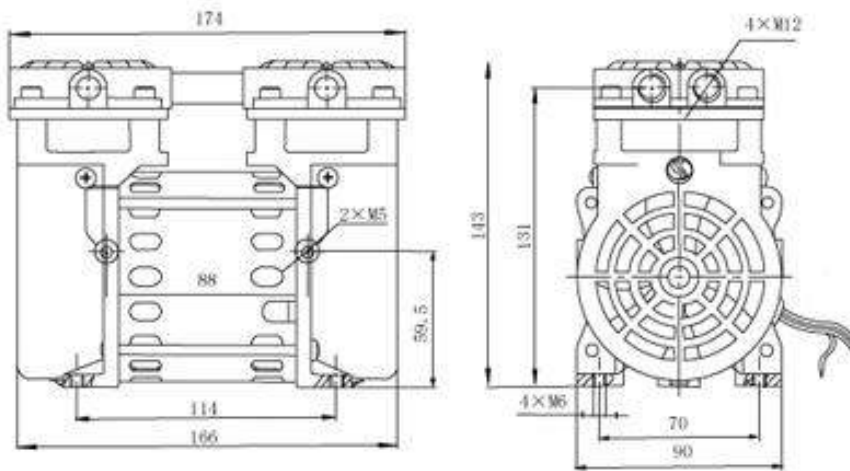
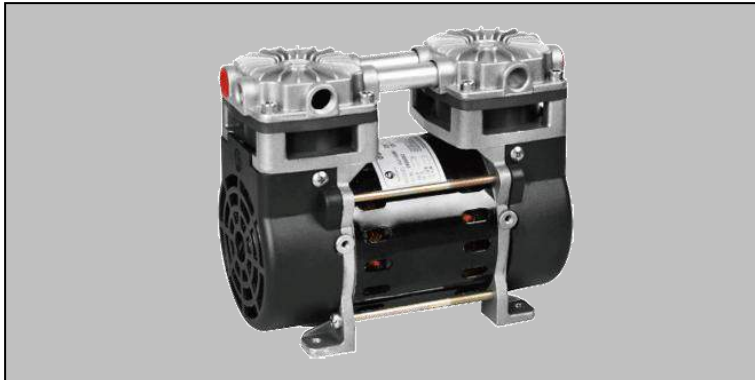
• EVPP-D01	3
• EVPP-D01-DC	4
• EVPP-D02	5
• EVPP-D02-DC	6
• EVPP-D03	7
• EVPP-D04	8
• EVPP-D05	9
• EVPP-D06	10
• EVPP-D07	11
• EVPP-D08	12
• EVPP-D09	13
• EVPP-S06	14
• EVPP-S07	15
• EVPP-S08	16
• EVPP-S09	17

EVPP-tank systems

• EVPP-xxx-T2A	18
• EVPP-xxx-T9A	19
• EVPP-xxx-T24A	20
• EVPP-xxx-T30A	21
• EVPP-xxx-T12D	22

Accessories for EVPP-series	23
-----------------------------	----

TYPE EVPP-D01

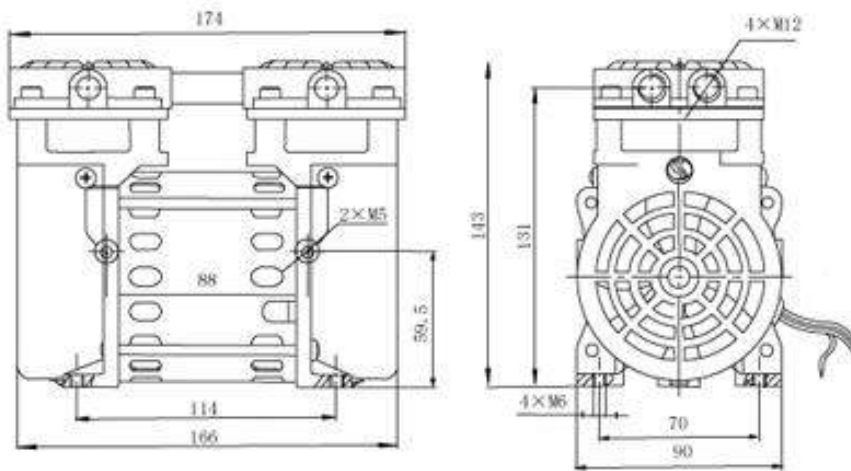
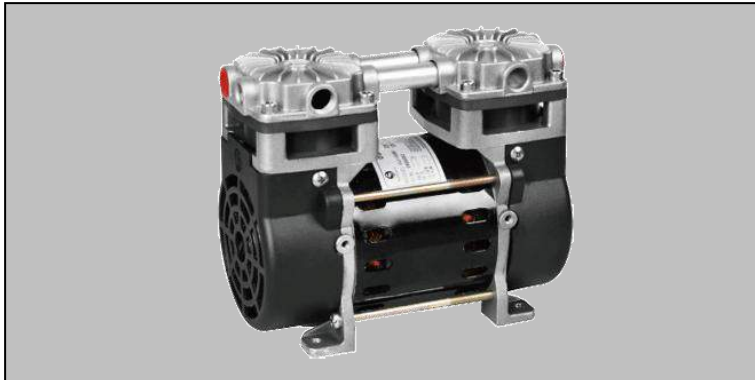


Technical Data		TYPE EVPP-D01	
		Vacuum	Pressure
Nominal displacement	l/m	40	40
Ultimate vacuum/pressure	bar	-0,88	+1,4
Motor power	W	95	130
Rotation speed @50Hz	rpm	1450	1390
Weight	kg	3,5	3,5
Noise (at ultimate pressure)	dB(A)	54	55
Admissible ambient temp.	°C	-5 to 40	-5 to 40
Connections	G(BSP)	¼"	¼"
Dimensions LxWxH	mm	174x91x143	174x91x143

Ordering Information	EVPP-D01	
EVPP-D01 with 230V, 50Hz motor	670.010	675.010
Damper G¼"	670.900	
Accessories	See accessories page	

TYPE EVPP-D01-DC

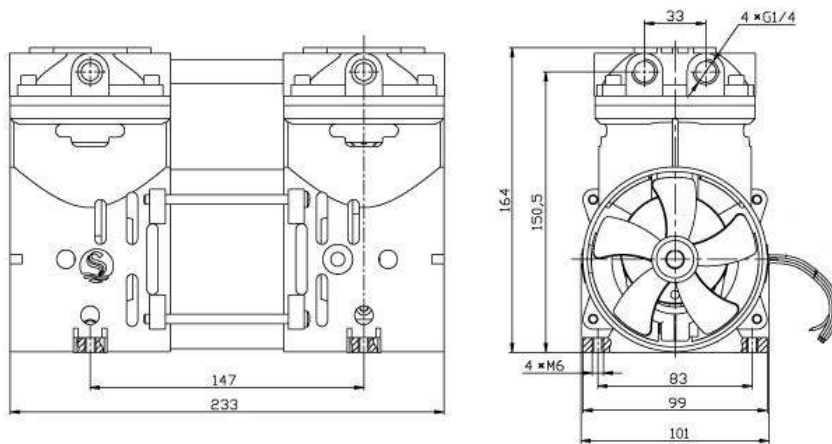
Available in 12Volt DC and 24Volt DC



Technical Data		TYPE EVPP-D01-DC	
		Vacuum	Pressure
Nominal displacement	l/m	48	48
Ultimate vacuum/pressure	bar	-0,9	+2,0
Motor power	W	120	145
Rotation speed	rpm	1800	1700
Weight	kg	3,5	3,5
Noise (at ultimate pressure)	dB(A)	53	55
Admissible ambient temp.	°C	-5 to 40	-5 to 40
Connections	G(BSP)	1/4"	1/4"
Dimensions LxWxH	mm	174x91x143	174x91x143

Ordering Information	EVPP-D01-DC	
EVPP-D01 with 12 V DC motor	670.110	675.110
EVPP-D01 with 24 V DC motor	670.210	675.210
Damper G1/4"	670.900	
Accessories	See accessories page	

TYPE EVPP-D02

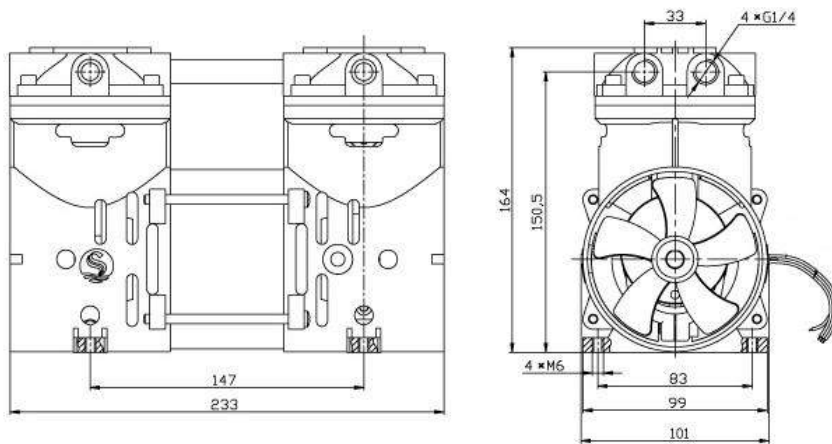


Technical Data		TYPE EVPP-D02	
		Vacuum	Pressure
Nominal displacement	l/m	81,7	81,7
Ultimate vacuum/pressure	bar	-0,92	+2,0
Motor power	W	210	300
Rotation speed @50Hz	rpm	1450	1400
Weight	kg	6,5	6,5
Noise (at ultimate pressure)	dB(A)	62	65
Admissible ambient temp.	°C	-5 to 40	-5 to 40
Connections	G(BSP)	1/4"	1/4"
Dimensions LxWxH	mm	233x101x164	233x101x164

Ordering Information	EVPP-D02	
EVPP-D02 with 230V, 50Hz motor	670.020	675.020
Damper G1/4"	670.900	
Accessories	See accessories page	

TYPE EVPP-D02-DC

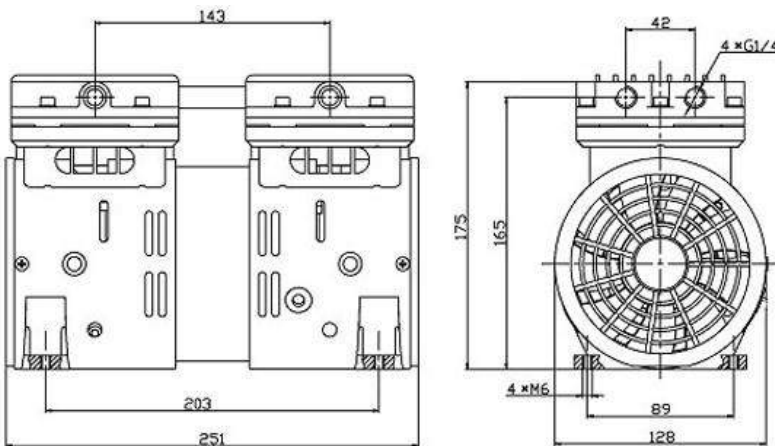
Available in 12Volt DC and 24Volt DC



Technical Data		TYPE EVPP-D02-DC	
		Vacuum	Pressure
Nominal displacement	l/m	102	102
Ultimate vacuum/pressure	bar	-0,92	+2,0
Motor power	W	210	370
Rotation speed	rpm	1800	1750
Weight	kg	6,5	6,5
Noise (at ultimate pressure)	dB(A)	60	65
Admissible ambient temp.	°C	-5 to 40	-5 to 40
Connections	G(BSP)	1/4"	1/4"
Dimensions LxWxH	mm	233x101x164	233x101x164

Ordering Information	EVPP-D02-DC	
EVPP-D02 with 12 V DC motor	670.120	675.120
EVPP-D02 with 24 V DC motor	670.220	675.220
Damper G1/4"	670.900	
Accessories	See accessories page	

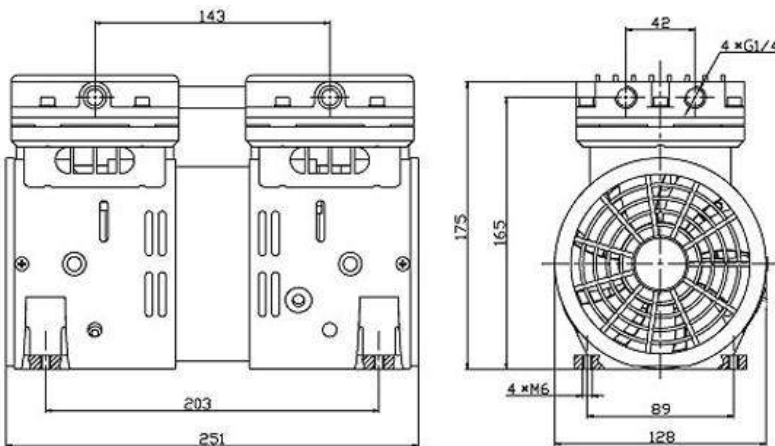
TYPE EVPP-D03



Technical Data		TYPE EVPP-D03	
		Vacuum	Pressure
Nominal displacement	l/m	80	80
Ultimate vacuum/pressure	bar	-0,92	+2,0
Motor power	W	245	350
Rotation speed @50Hz	rpm	1450	1400
Weight	kg	7,5	7,5
Noise (at ultimate pressure)	dB(A)	60	62
Admissible ambient temp.	°C	-5 to 40	-5 to 40
Connections	G(BSP)	1/4"	1/4"
Dimensions LxWxH	mm	251x128x175	251x128x175

Ordering Information	EVPP-D03	
EVPP-D03 with 230V, 50Hz motor	670.030	675.030
Damper G1/4"	670.900	
Accessories	See accessories page	

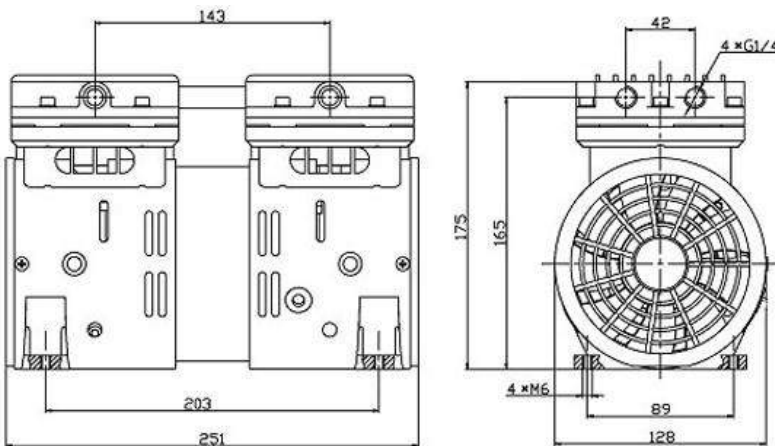
TYPE EVPP-D04



Technical Data		TYPE EVPP-D04	
		Vacuum	Pressure
Nominal displacement	l/m	102	102
Ultimate vacuum/pressure	bar	-0,92	+2,0
Motor power	W	275	380
Rotation speed @50Hz	rpm	1450	1400
Weight	kg	7,5	7,5
Noise (at ultimate pressure)	dB(A)	60	62
Admissible ambient temp.	°C	-5 to 40	-5 to 40
Connections	G(BSP)	1/4"	1/4"
Dimensions LxWxH	mm	251x128x175	251x128x175

Ordering Information	EVPP-D04	
EVPP-D04 with 230V, 50Hz motor	670.031	675.031
Damper G1/4"	670.900	
Accessories	See accessories page	

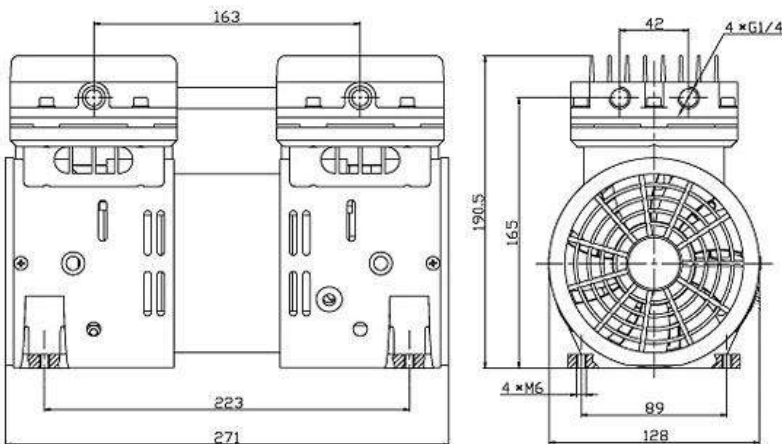
TYPE EVPP-D05



Technical Data		TYPE EVPP-D05	
		Vacuum	Pressure
Nominal displacement	l/m	118	118
Ultimate vacuum/pressure	bar	-0,92	+2,0
Motor power	W	330	480
Rotation speed @50Hz	rpm	1450	1400
Weight	kg	8,5	8,5
Noise (at ultimate pressure)	dB(A)	60	62
Admissible ambient temp.	°C	-5 to 40	-5 to 40
Connections	G(BSP)	1/4"	1/4"
Dimensions LxWxH	mm	251x128x175	251x128x175

Ordering Information	EVPP-D05	
EVPP-D05 with 230V, 50Hz motor	670.032	675.032
Damper G1/4"	670.900	
Accessories	See accessories page	

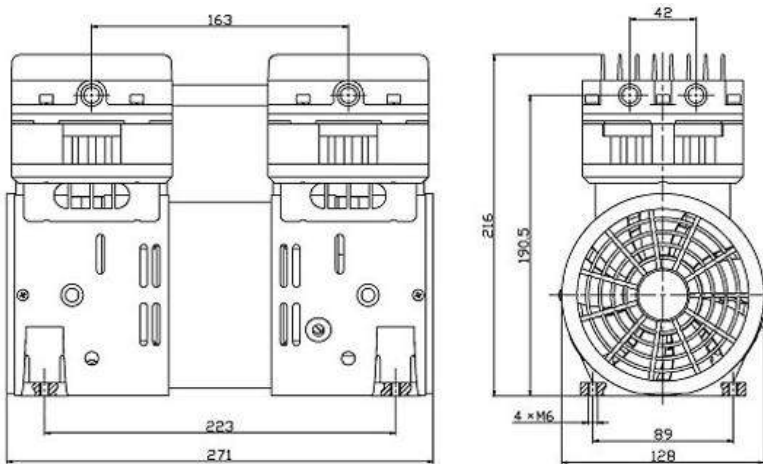
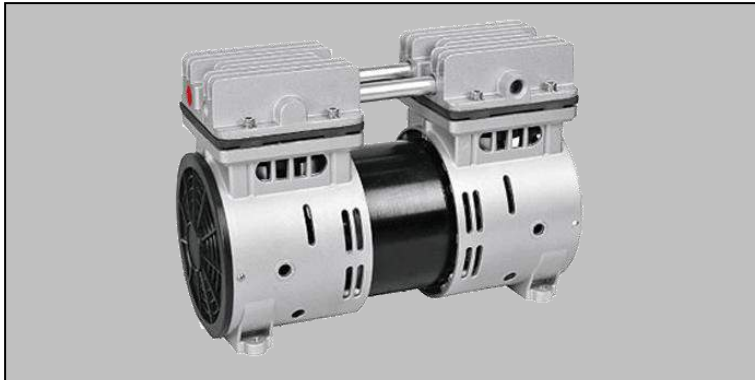
TYPE EVPP-D06



Technical Data		TYPE EVPP-D06	
		Vacuum	Pressure
Nominal displacement	l/m	51,7	102
Ultimate vacuum/pressure	bar	-0,98	+7,0
Motor power	W	320	560
Rotation speed @50Hz	rpm	1450	1380
Weight	kg	9,0	9,0
Noise (at ultimate pressure)	dB(A)	60	64
Admissible ambient temp.	°C	-5 to 40	-5 to 40
Connections	G(BSP)	1/4"	1/4"
Dimensions LxWxH	mm	271x128x191	271x128x191

Ordering Information	EVPP-D06	
EVPP-D06 with 230V, 50Hz motor	670.033	675.033
Damper G1/4"	670.900	
Accessories	See accessories page	

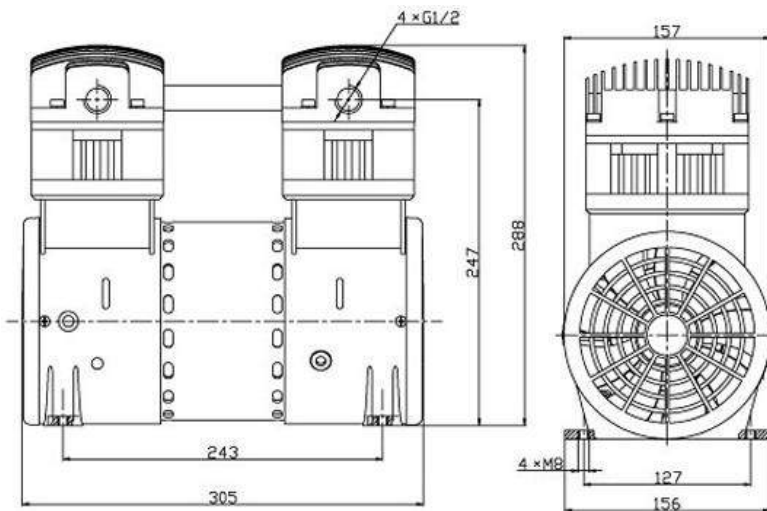
TYPE EVPP-D07



Technical Data		TYPE EVPP-D07	
		Vacuum	Pressure
Nominal displacement	l/m	68,3	135
Ultimate vacuum/pressure	bar	-0,98	+7,0
Motor power	W	430	780
Rotation speed @50Hz	rpm	1450	1380
Weight	kg	10,0	10,0
Noise (at ultimate pressure)	dB(A)	60	64
Admissible ambient temp.	°C	-5 to 40	-5 to 40
Connections	G(BSP)	1/4"	1/4"
Dimensions LxWxH	mm	271x128x216	271x128x216

Ordering Information	EVPP-D07	
EVPP-D07 with 230V, 50Hz motor	670.034	675.034
Damper G1/4"	670.900	
Accessories	See accessories page	

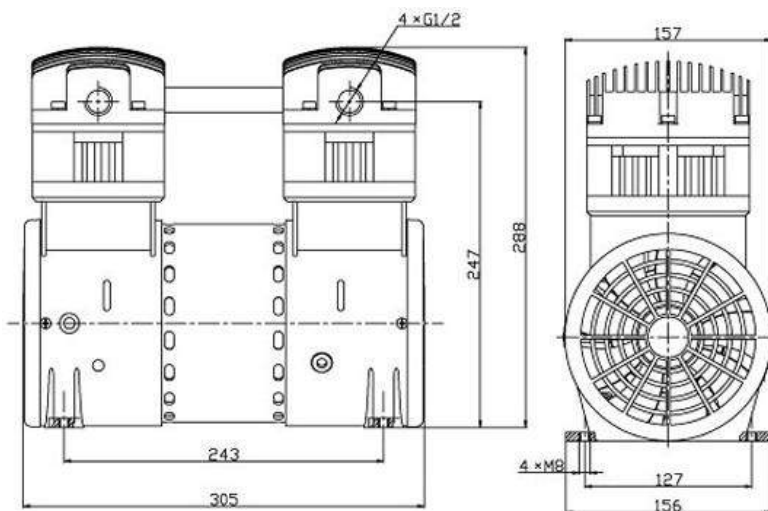
TYPE EVPP-D08



Technical Data		TYPE EVPP-D08	
		Vacuum	Pressure
Nominal displacement	l/m	100	200
Ultimate vacuum/pressure	bar	-0,98	+8,0
Motor power	W	600	1100
Rotation speed @50Hz	rpm	1450	1380
Weight	kg	17,0	17,0
Noise (at ultimate pressure)	dB(A)	65	70
Admissible ambient temp.	°C	-5 to 40	-5 to 40
Connections	G(BSP)	½"	½"
Dimensions LxWxH	mm	305x156x288	305x156x288

Ordering Information	EVPP-D08	
EVPP-D08 with 230V, 50Hz motor	670.035	675.035
Damper G½"	670.901	
Accessories	See accessories page	

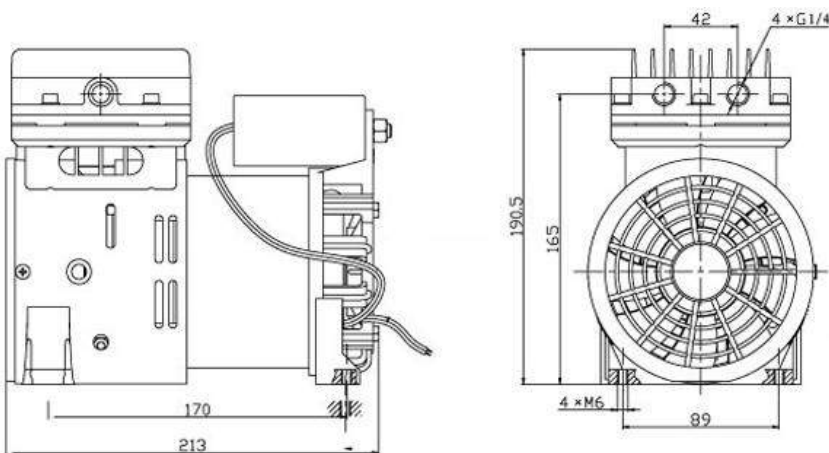
TYPE EVPP-D09



Technical Data		TYPE EVPP-D09	
		Vacuum	Pressure
Nominal displacement	l/m	140	280
Ultimate vacuum/pressure	bar	-0,98	+8,0
Motor power	W	750	1350
Rotation speed @50Hz	rpm	1450	1380
Weight	kg	17,5	17,5
Noise (at ultimate pressure)	dB(A)	65	70
Admissible ambient temp.	°C	-5 to 40	-5 to 40
Connections	G(BSP)	½"	½"
Dimensions LxWxH	mm	305x156x288	305x156x288

Ordering Information	EVPP-D09	
EVPP-D09 with 230V, 50Hz motor	670.036	675.036
Damper G½"	670.901	
Accessories	See accessories page	

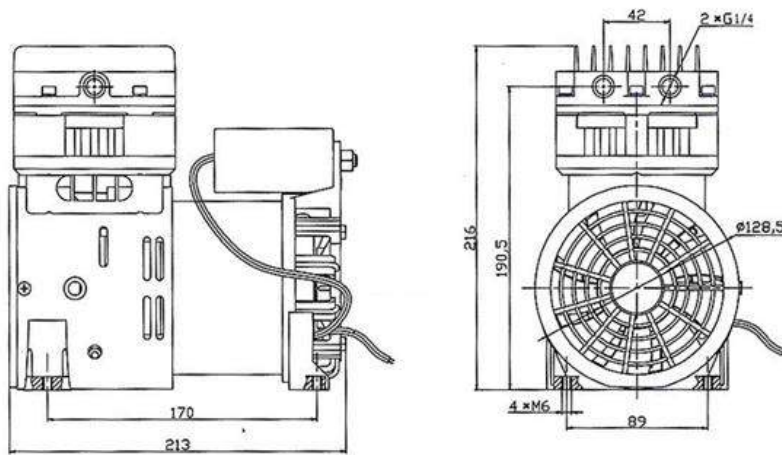
TYPE EVPP-S06



Technical Data		TYPE EVPP-S06	
		Vacuum	Pressure
Nominal displacement	l/m	51,7	51,7
Ultimate vacuum/pressure	bar	-0,91	+7,0
Motor power	W	300	450
Rotation speed @50Hz	rpm	1450	1400
Weight	kg	7,0	7,0
Noise (at ultimate pressure)	dB(A)	63	68
Admissible ambient temp.	°C	-5 to 40	-5 to 40
Connections	G(BSP)	1/4"	1/4"
Dimensions LxWxH	mm	213x128x191	213x128x191

Ordering Information	EVPP-S06	
EVPP-S06 with 230V, 50Hz motor	670.033S	675.033S
Damper G1/4"	670.900	
Accessories	See accessories page	

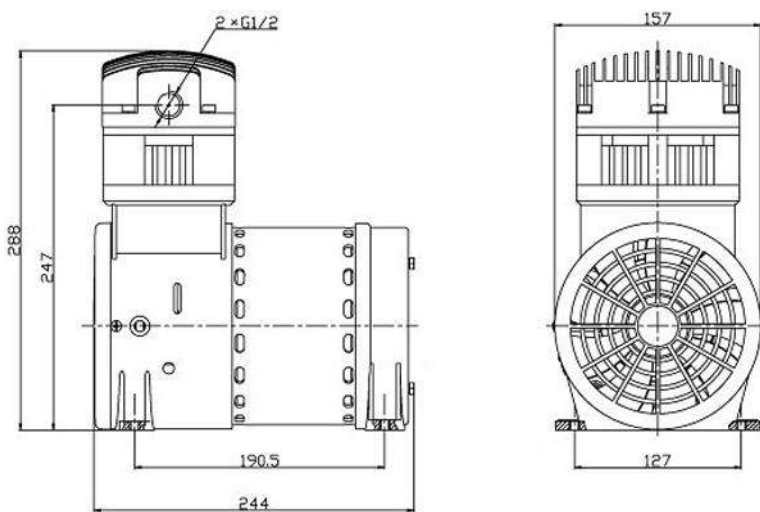
TYPE EVPP-S07



Technical Data		TYPE EVPP-S07	
		Vacuum	Pressure
Nominal displacement	l/m	68,3	68,3
Ultimate vacuum/pressure	bar	-0,91	+7,0
Motor power	W	350	500
Rotation speed @50Hz	rpm	1450	1380
Weight	kg	8,5	8,5
Noise (at ultimate pressure)	dB(A)	63	68
Admissible ambient temp.	°C	-5 to 40	-5 to 40
Connections	G(BSP)	1/4"	1/4"
Dimensions LxWxH	mm	213x128x216	213x128x216

Ordering Information	EVPP-S07	
EVPP-S07 with 230V, 50Hz motor	670.034S	675.034S
Damper G1/4"	670.900	
Accessories	See accessories page	

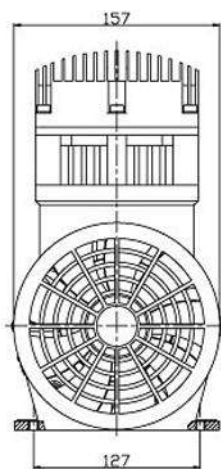
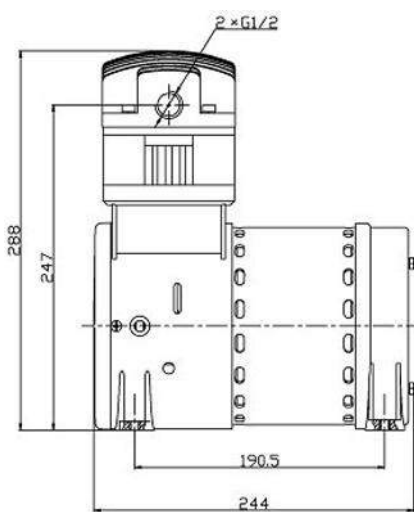
TYPE EVPP-S08



Technical Data		TYPE EVPP-S08	
		Vacuum	Pressure
Nominal displacement	l/m	100	100
Ultimate vacuum/pressure	bar	-0,91	+8,0
Motor power	W	550	820
Rotation speed @50Hz	rpm	1450	1380
Weight	kg	12,0	12,0
Noise (at ultimate pressure)	dB(A)	65	70
Admissible ambient temp.	°C	-5 to 40	-5 to 40
Connections	G(BSP)	½"	½"
Dimensions LxWxH	mm	244x157x288	244x157x288

Ordering Information	EVPP-S08	
EVPP-S08 with 230V, 50Hz motor	670.035S	675.035S
Damper G½"	670.901	
Accessories	See accessories page	

TYPE EVPP-S09



Technical Data		TYPE EVPP-S09	
		Vacuum	Pressure
Nominal displacement	l/m	140	140
Ultimate vacuum/pressure	bar	-0,91	+8,0
Motor power	W	650	950
Rotation speed @50Hz	rpm	1450	1380
Weight	kg	12,5	12,5
Noise (at ultimate pressure)	dB(A)	65	70
Admissible ambient temp.	°C	-5 to 40	-5 to 40
Connections	G(BSP)	½"	½"
Dimensions LxWxH	mm	244x157x288	244x157x288

Ordering Information	EVPP-S09	
EVPP-S09 with 230V, 50Hz motor	670.036S	675.036S
Damper G½"	670.901	
Accessories	See accessories page	

TYPE EVPP-xxx-T2A



Portable vacuum system which in the transport frame integrated 2 litre tank and automatic vacuum level control unit. The vacuum level control unit can be set at vacuum levels between 100 to 1000 mbar and also the hysteresis is adjustable. This unit can hold different dry piston vacuum pumps. As the dimensions and the weight of this unit are low it is a very easy unit to take to different working locations where there is a temporary need for vacuum.

Technical Data		TYPE EVPP-xxx-T2A	
		EVPP-D06-T2A	EVPP-D07-T2A
Nominal displacement	l/m	102	135
Tank volume	ltr	2	2
Ultimate vacuum/pressure	bar	-0,92	-0,92
Motor power	W	245	380
Weight	kg	18,0	18,5
Connections	G(BSP)	1/4"	1/4"
Dimensions LxWxH	mm	430x350x430	430x350x430

Technical Data		TYPE EVPP-D02-T2A-DC
Nominal displacement	l/m	102
Tank volume	ltr	2
Ultimate vacuum/pressure	bar	-0,92
Motor power	W	210
Weight	kg	17,0
Connections	G(BSP)	1/4"
Dimensions LxWxH	mm	430x350x430

Ordering Information	EVPP-xxx-T2A
EVPP-D06-T2A (230V, 50Hz)	671.001
EVPP-D07-T2A (230V, 50Hz)	671.002
EVPP-D02-T2A-12VDC (12V, DC)	671.103
EVPP-D02-T2A-24VDC (24V, DC)	671.203
Adjustable vacuum Switch (mech.)	119.800
Adjustable vacuum Switch (digital)	119.820
Damper G1/4"	670.900
Accessories	See accessories page

TYPE EVPP-xxx-T9A



Suitcase vacuum system which inside an integrated 9 litre tank, vacuum pump and automatic vacuum level control. The vacuum level control unit can be set at vacuum levels between 100 to 1000 mbar. This unit can hold different dry piston vacuum pumps. As the dimensions and the weight of this unit are low and the housing is fully enclosed it is suitable to take to different locations where there is a temporary need for vacuum.

Technical Data		TYPE EVPP-xxx-T9A	
		EVPP-D06-T9A	EVPP-D07-T9A
Nominal displacement	l/m	102	135
Tank volume	ltr	9	9
Ultimate vacuum/pressure	bar	-0,92	-0,92
Motor power	W	245	380
Weight	kg	21,0	21,5
Connections	inch	¼" Quick Coupl.	¼" Quick Coupl.
Dimensions LxWxH	mm	560x260x470	560x260x470

Technical Data		TYPE EVPP-D02-T9A-DC
Nominal displacement	l/m	102
Tank volume	ltr	9
Ultimate vacuum/pressure	bar	-0,92
Motor power	W	210
Weight	kg	20,0
Connections		
Dimensions LxWxH	mm	560x260x470

Ordering Information	EVPP-xxx-T9A
EVPP-D06-T9A (230V, 50Hz)	671.004
EVPP-D07-T9A (230V, 50Hz)	671.005
EVPP-D02-T9A-12VDC (12V, DC)	671.106
EVPP-D02-T9A-24VDC (24V, DC)	671.206
Adjustable vacuum Switch (mech.)	119.800
Adjustable vacuum Switch (digital)	119.820
Accessories	See accessories page

TYPE EVPP-xxx-T24A



Complete vacuum system with 24 litre tank and automatic vacuum level control unit. The vacuum level control unit can be set at vacuum levels between 100 to 1000 mbar and also the hysteresis is adjustable. This unit can hold different dry piston vacuum pumps.

Technical Data		TYPE EVPP-D02-T24A
Nominal displacement	l/m	81,7
Tank volume	ltr	24
Ultimate vacuum/pressure	bar	-0,92
Motor power	W	210
Weight	kg	18,0
Connections	G(BSP)	1/4"
Dimensions LxWxH	mm	320x300x570

Technical Data		TYPE EVPP-xxx-T24A	
		EVPP-D06-T24A	EVPP-D07-T24A
Nominal displacement	l/m	102	135
Tank volume	ltr	24	24
Ultimate vacuum/pressure	bar	-0,92	-0,92
Motor power	W	245	380
Weight	kg	21,0	21,5
Connections	G(BSP)	1/4"	1/4"
Dimensions LxWxH	mm	320x300x570	320x300x570

Ordering Information	EVPP-xxx-T24A
EVPP-D06-T24A (230V, 50Hz)	671.008
EVPP-D07-T24A (230V, 50Hz)	671.009
EVPP-D02-T24A (230V, 50Hz)	671.007
Adjustable vacuum Switch (mech.)	119.800
Adjustable vacuum Switch (digital)	119.820
Damper G1/4"	670.900
Accessories	See accessories page

TYPE EVPP-xxx-T30A



Complete strong vacuum system with 30 litre tank and automatic vacuum level control unit. The vacuum level control unit can be set at vacuum levels between 100 to 1000 mbar and also the hysteresis is adjustable. This unit can hold different dry piston vacuum pumps.

Technical Data		TYPE EVPP-xxx-T30A	
		EVPP-D08-T30A	EVPP-D09-T30A
Nominal displacement	l/m	100	140
Tank volume	ltr	30	30
Ultimate vacuum/pressure	bar	-0,98	-0,98
Motor power	W	600	750
Weight	kg	34,0	35,0
Connections	G(BSP)	1/4"	1/4"
Dimensions LxWxH	mm	650x400x690	650x400x690

Ordering Information	EVPP-xxx-T30A
EVPP-D08-T30A (230V, 50Hz)	671.010
EVPP-D09-T30A (230V, 50Hz)	671.011
Adjustable vacuum Switch (mech.)	119.800
Adjustable vacuum Switch (digital)	119.820
Damper G1/2"	670.901
Accessories	See accessories page

TYPE EVPP-xxx-T12D



Double-level vacuum system with two 12 litre tanks, two vacuum pumps and two separate automatic vacuum level control units. The vacuum level control units can be set at vacuum levels between 100 to 1000 mbar and also the hysteresis is adjustable. This system allows the user to work at two different vacuum levels independent from the other. There is also a interlock valve on the system that connects both tanks to use the full capacity of both pumps on one vacuum level.



Technical Data		TYPE EVPP-xxx-T12D	
		EVPP-D08-T12D	EVPP-D09-T12D
Nominal displacement	l/m	2x100	2x140
Tank volume	ltr	2x12	2x12
Ultimate vacuum/pressure	bar	-0,98	-0,98
Motor power	W	2x600	2x750
Weight	kg	60,0	65,0
Connections	G(BSP)	1/4"	1/4"
Dimensions LxWxH	mm	xx	xx

Ordering Information	EVPP-xxx-T12D
EVPP-D08-T12D (230V, 50Hz)	672.003
EVPP-D09-T12D (230V, 50Hz)	672.004
Adjustable vacuum Switch (mech.)	119.800
Adjustable vacuum Switch (digital)	119.820
Damper G1/2"	670.901
Accessories	See accessories page