



CATALOGO TECNICO
TECHNICAL CATALOGUE

COLLETTORI DA BARRA
DISTRIBUTION MANIFOLDS



Collettore di distribuzione da barra d'ottone, interasse mm. 38 o 50
 Distribution manifold made out of brass bar, centres distance mm.38 or 50

850/38
 850/50

VOCI DI CAPITOLATO - TECHNICAL FEATURES



Collettore di distribuzione da barra profilata con derivazioni femmina per tubo rame, PEX, polibutilene e multistrato.
 Temperatura massima d'esercizio: 110°C.
 Attacchi filettati ISO228
 (equivalente a DIN EN ISO 228 e BS EN ISO 228).

Misura delle derivazioni: 1/2" F.

Distribution manifold made out of brass bars with female outlets, suitable for fittings for copper, PEX, polybutylene and multilayer piping.

Maximum working temperature: 110°C.

Threads: ISO228

(equivalent to DIN EN ISO 228 and BS EN ISO 228).

Size of the outlets: 1/2"

850/38

MISURA/SIZE	3/4" x 2	3/4" x 3	3/4" x 4	3/4" x 5	3/4" x 6	3/4" x 7	3/4" x 8	3/4" x 9	3/4" x 10
PRESSIONE/PRESSURE	10bar/145psi	10bar/145psi	10bar/145psi	10bar/145psi	10bar/145psi	10bar/145psi	10bar/145psi	10bar/145psi	10bar/145psi
CODICE/CODE	85000340238	85000340338	85000340438	85000340538	85000340638	85000340738	85000340838	85000340938	85000341038
IMBALLO/PACKING	6/90	6/72	6/42	6/42	6/36	3/36	3/21	3/21	3/21

MISURA/SIZE	1" x 2	1" x 3	1" x 4	1" x 5	1" x 6	1" x 7	1" x 8	1" x 9	1" x 10	1" x 11	1" x 12
PRESSIONE/PRESSURE	10bar/145psi	10bar/145psi	10bar/145psi	10bar/145psi	10bar/145psi	10bar/145psi	10bar/145psi	10bar/145psi	10bar/145psi	10bar/145psi	10bar/145psi
CODICE/CODE	85001000238	85001000338	85001000438	85001000538	85001000638	85001000738	85001000838	85001000938	85001001038	85001001138	85001001238
IMBALLO/PACKING	6/66	6/60	6/30	6/30	6/30	6/24	3/15	3/15	3/15	3/15	3/15

850/50

MISURA/SIZE	3/4" x 2	3/4" x 3	3/4" x 4	3/4" x 5	3/4" x 6	3/4" x 7	3/4" x 8	3/4" x 9	3/4" x 10
PRESSIONE/PRESSURE	10bar/145psi	10bar/145psi	10bar/145psi	10bar/145psi	10bar/145psi	10bar/145psi	10bar/145psi	10bar/145psi	10bar/145psi
CODICE/CODE	85000340250	85000340350	85000340450	85000340550	85000340650	85000340750	85000340850	85000340950	85000341050
IMBALLO/PACKING	6/90	6/42	6/42	6/36	6/36	3/21	3/21	3/21	3/18

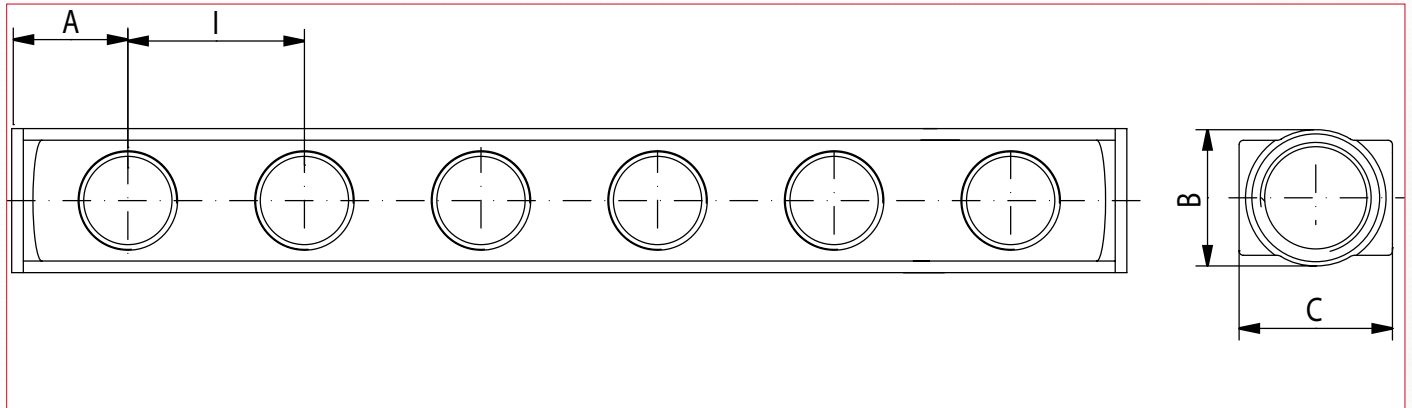
MISURA/SIZE	1" x 2	1" x 3	1" x 4	1" x 5	1" x 6	1" x 7	1" x 8	1" x 9	1" x 10	1" x 11	1" x 12
PRESSIONE/PRESSURE	10bar/145psi	10bar/145psi	10bar/145psi	10bar/145psi	10bar/145psi	10bar/145psi	10bar/145psi	10bar/145psi	10bar/145psi	10bar/145psi	10bar/145psi
CODICE/CODE	85001000250	85001000350	85001000450	85001000550	85001000650	85001000750	85001000850	85001000950	85001001050	85001001150	85001001250
IMBALLO/PACKING	6/60	6/30	6/30	6/24	6/24	3/15	3/15	3/15	3/15	3/12	3/12

MISURA/SIZE	1"1/4 x 2	1"1/4 x 3	1"1/4 x 4	1"1/4 x 5	1"1/4 x 6	1"1/4 x 7	1"1/4 x 8	1"1/4 x 9	1"1/4 x 10	1"1/4 x 11	1"1/4 x 12
PRESSIONE/PRESSURE	10bar/145psi	10bar/145psi	10bar/145psi	10bar/145psi	10bar/145psi	10bar/145psi	10bar/145psi	10bar/145psi	10bar/145psi	10bar/145psi	10bar/145psi
CODICE/CODE	85001140250	85001140350	85001140450	85001140550	85001140650	85001140750	85001140850	85001140950	85001141050	85001141150	85001141250
IMBALLO/PACKING	6/48	6/24	6/24	6/18	6/18	3/12	3/12	3/12	3/12	3/9	3/9

Certificazioni- Certifications



QUOTE DI INGOMBRO - *DRAWING*



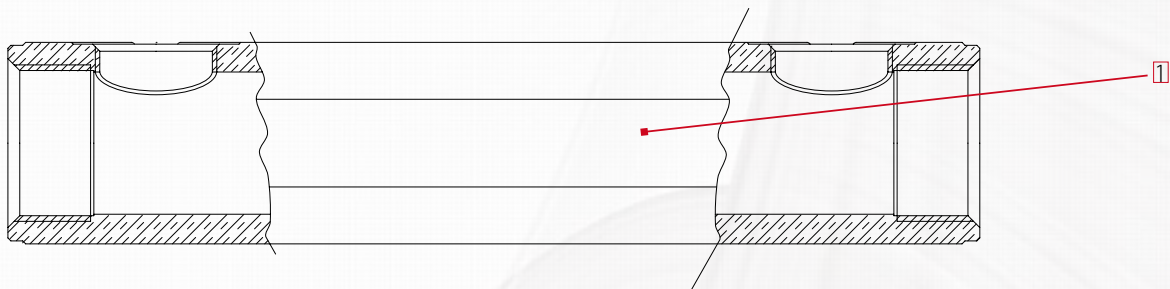
MISURE / SIZE	3/4"	1"	1"1/4
A (mm)	25	30	30
B (mm)	31	38	47
C (mm)	34	40	50
I (mm)	38 or 50	38 or 50	38 or 50
PRESS. ATMOSF. / WORK. PRESS. Kg/cm ² - bar	10	10	10
PRESS. ATMOSF. PSI LBS WORK. PRESS	145	145	145

COLLETORE DA 3/4" - 3/4" MANIFOLDS : disponibile da 2 a 10 derivazioni - *available from 2 to 10 outlets.*

COLLETORE DA 1" - 1" MANIFOLDS : disponibile da 2 a 12 derivazioni - *available from 2 to 12 outlets.*

COLLETORE DA 1"1/4 - 1"1/4 MANIFOLDS : disponibile da 2 a 12 derivazioni - *available from 2 to 12 outlets.*

SCHEDA MATERIALI - *MATERIALS*



POS.	DESCRIZIONE/DESCRIPTION	Q.TÀ/N.	MATERIALE/MATERIAL
1	Corpo / Body	1	Ottone / Brass CW614N



VOCI DI CAPITOLATO - TECHNICAL FEATURES



Collettore di distribuzione da barra profilata con derivazioni femmina per tubo rame, PEX, polibutilene e multistrato. Temperatura massima d'esercizio: 110°C.

Attacchi filettati ISO228
 (equivalente a DIN EN ISO 228 e BS EN ISO 228).

Misura delle derivazioni: 1/2" F.

Distribution manifold made out of brass bars with female outlets, suitable for fittings for copper, PEX, polybutylene and multilayer piping.

Maximum working temperature: 110°C.

Threads: ISO228

(equivalent to DIN EN ISO 228 and BS EN ISO 228).

Size of the outlets: 1/2"

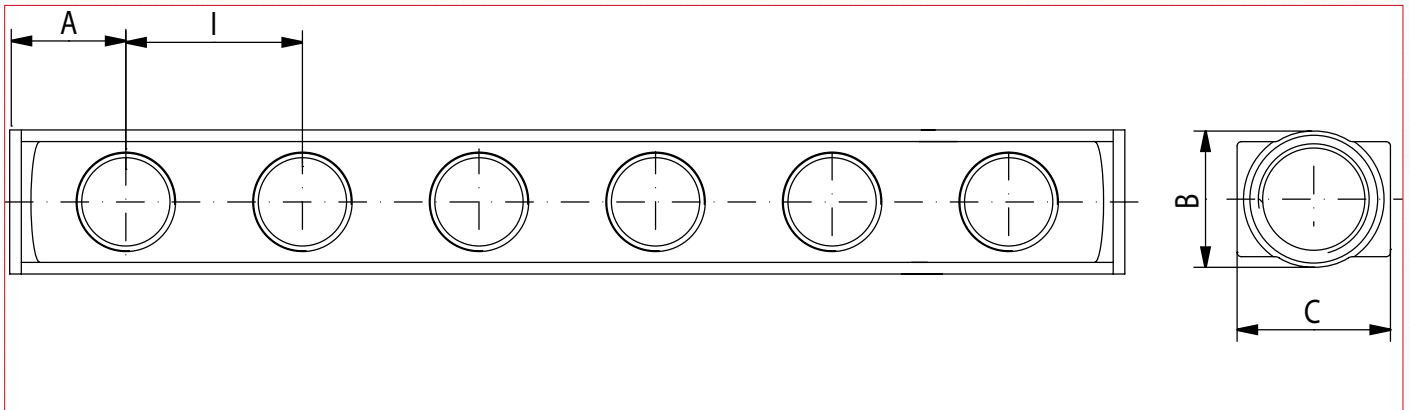
MISURA/SIZE	1" x 2	1" x 3	1" x 4	1" x 5	1" x 6	1" x 7	1" x 8	1" x 9	1" x 10	1" x 11	1" x 12
PRESSIONE/PRESSURE	10bar/145psi	10bar/145psi	10bar/145psi	10bar/145psi	10bar/145psi	10bar/145psi	10bar/145psi	10bar/145psi	10bar/145psi	10bar/145psi	10bar/145psi
CODICE/CODE	86001000250	86001000350	86001000450	86001000550	86001000650	86001000750	86001000850	86001000950	86001001050	86001001150	86001001250
IMBALLO/PACKING	6/60	6/30	6/30	6/24	6/24	3/15	3/15	3/15	3/15	3/12	3/12

MISURA/SIZE	1"1/4 x 2	1"1/4 x 3	1"1/4 x 4	1"1/4 x 5	1"1/4 x 6	1"1/4 x 7	1"1/4 x 8	1"1/4 x 9	1"1/4 x 10	1"1/4 x 11	1"1/4 x 12
PRESSIONE/PRESSURE	10bar/145psi	10bar/145psi	10bar/145psi	10bar/145psi	10bar/145psi	10bar/145psi	10bar/145psi	10bar/145psi	10bar/145psi	10bar/145psi	10bar/145psi
CODICE/CODE	86001140250	86001140350	86001140450	86001140550	86001140650	86001140750	86001140850	86001140950	86001141050	86001141150	86001141250
IMBALLO/PACKING	6/48	6/24	6/24	6/18	6/18	3/12	3/12	3/12	3/12	3/9	3/9

Certificazioni- Certifications



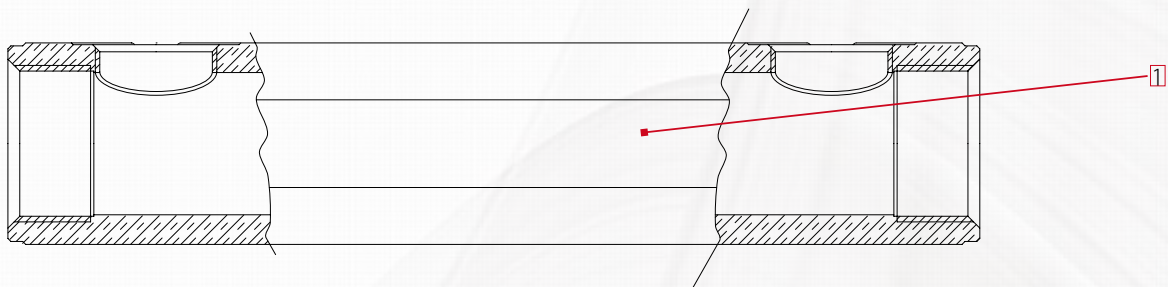
QUOTE DI INGOMBRO - *DRAWING*



MISURE / SIZE	1"	1"1/4
A (mm)	30	30
B (mm)	38	47
C (mm)	40	50
l (mm)	50	50
PRESS. ATMOSF./ WORK. PRESS. Kg/cm ² - bar	10	10
PRESS. ATMOSF. PSI LBS WORK. PRESS	145	145

MISURE / SIZE	1"	1"1/4
L 2+2	110	110
L 3+3	160	160
L 4+4	210	210
L 5+5	260	260
L 6+6	310	310
L 7+7	360	360
L 8+8	410	410
L 9+9	460	460
L 10 +10	510	510
L 11 +11	560	560
L 12 +12	610	610

SCHEDA MATERIALI - *MATERIALS*



POS.	DESCRIZIONE/DESCRIPTION	Q.TA/N.	MATERIALE/MATERIAL
1	Corpo / Body	1	Ottone / Brass CW614N

